

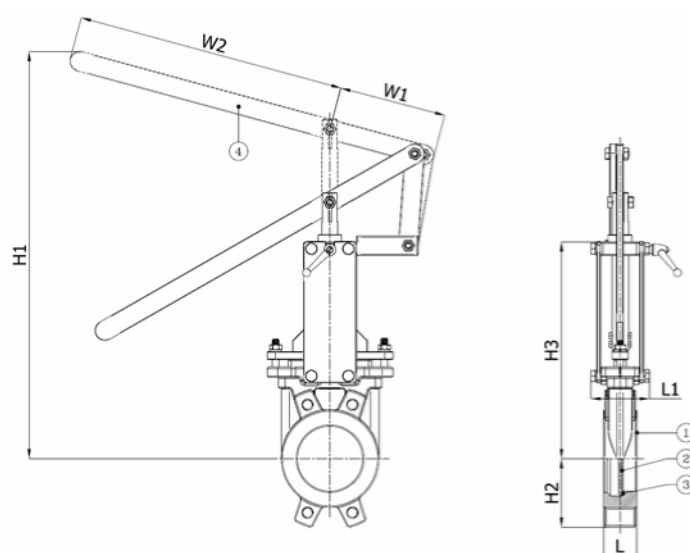
BV50A-2363E-PN10 - Lever

Knife gate valve, uni-directional, to be mounted between flanges PN10, with quick opening lever

Face to Face Standard: Factory standard



Item Number	Belven Ref
50A2036E10100	BV50-2363E-PN10 DN100 - LEVER
50A2036E10150	BV50-2363E-PN10 DN150 - LEVER



DN/Size	H1	H2	H3	L	L1	W1	W2	Press.Cl.	Weight(kg)
DN100 (4")	590	105	335	50	90	150	400	PN10	12.00
DN150 (6")	892	135	418	60	100	150	400	PN10	17.00

Item 1	Item 2	Item 3	Item 4
Body Material	Gate Material	Seat Material	Actuator Material
Cast iron : GG25 + Epoxy coating	Stainless steel : AISI 304	EPDM	Steel

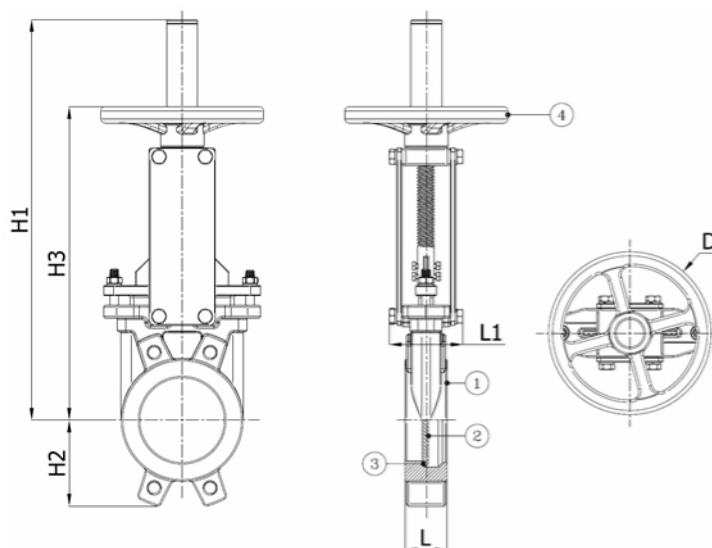
BV50A-2363E-PN10 - Handwheel

Knife gate valve, uni-directional, to be mounted between flanges PN10, with rising stem and non-rising handwheel

Face to Face Standard: Factory standard



Item Number	Belven Ref
50A2036E20050	BV50-2363E-PN10 DN050 - HANDWHEEL
50A2036E20065	BV50-2363E-PN10 DN065 - HANDWHEEL
50A2036E20080	BV50-2363E-PN10 DN080 - HANDWHEEL
50A2036E20100	BV50-2363E-PN10 DN100 - HANDWHEEL
50A2036E20125	BV50-2363E-PN10 DN125 - HANDWHEEL
50A2036E20150	BV50-2363E-PN10 DN150 - HANDWHEEL
50A2036E20200	BV50-2363E-PN10 DN200 - HANDWHEEL
50A2036E20250	BV50-2363E-PN10 DN250 - HANDWHEEL
50A2036E20300	BV50-2363E-PN10 DN300 - HANDWHEEL



DN/Size	D	H1	H2	H3	L	L1	Press.Cl.	Weight(kg)
DN50 (2")	200	425	68	284	40	90	PN10	8.00
DN65 (2 1/2")	200	450	68	308	40	90	PN10	9.00
DN80 (3")	200	480	90	334	50	90	PN10	10.00
DN100 (4")	200	520	105	374	50	90	PN10	11.50
DN125 (5")	250	600	118	413	50	100	PN10	16.00
DN150 (6")	250	650	135	465	60	100	PN10	18.80
DN200 (8")	300	820	170	582	60	120	PN10	34.00
DN250 (10")	300	1020	202	682	70	120	PN10	56.00
DN300 (12")	300	1120	240	782	70	120	PN10	68.00

Item 1	Item 2	Item 3	Item 4
Body Material	Gate Material	Seat Material	Actuator Material
Cast iron : GG25 + Epoxy coating	Stainless steel : AISI 304	EPDM	Cast iron : GG25